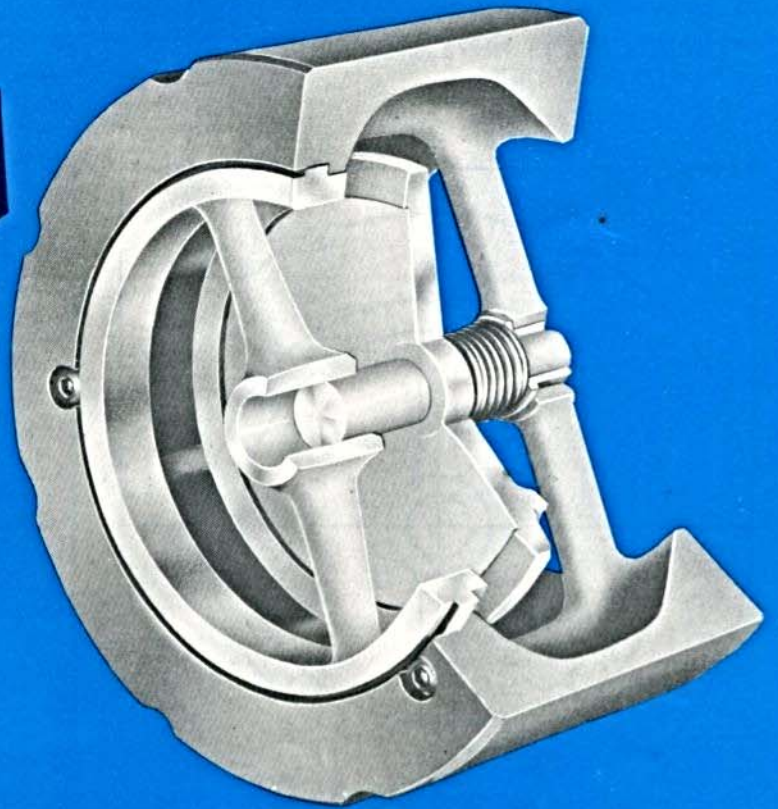


**SHHH... SHHH...**

# SHOCK-PROOF PIPING SYSTEMS

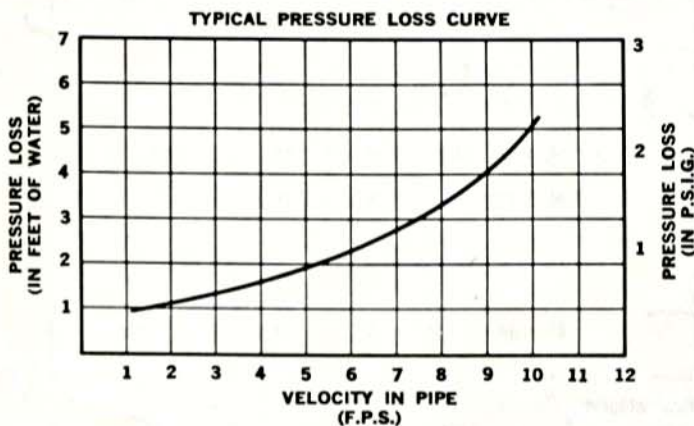


**1400 SERIES**

## with VAL-MATIC WAFER STYLE Silent Check Valves

Designed and engineered for silent operation with low head loss in a compact wafer body. Specially designed spring controls the closure of Val-Matic Silent Check Valves . . . closing valve disc in advance of flow reversal, thereby preventing water hammer and damaging shock normally associated with valve shut-off.

Tear-Drop Contour allows streamline flow and combined with Full Pipe Size Area of Inner Body assures minimal pressure drop.



NOTE: For specific valve size pressure loss curve . . . see drwg. No. 1404.

**VAL-MATIC SILENT CHECK VALVES ARE ENGINEERED FOR SILENT OPERATION / LOW HEAD LOSS *Plus...***

- Shortest Feasible Face-to-Face Dimensions
- Lightweight, Space-Saving Wafer Design
- Easily Replaceable Parts
- Functions Equally Well in All Positions
- Simple flange-supported installation
- Drop-Tight Seating
- Cast Iron Body / Bronze or Stainless Steel Trim

**NOTE:**

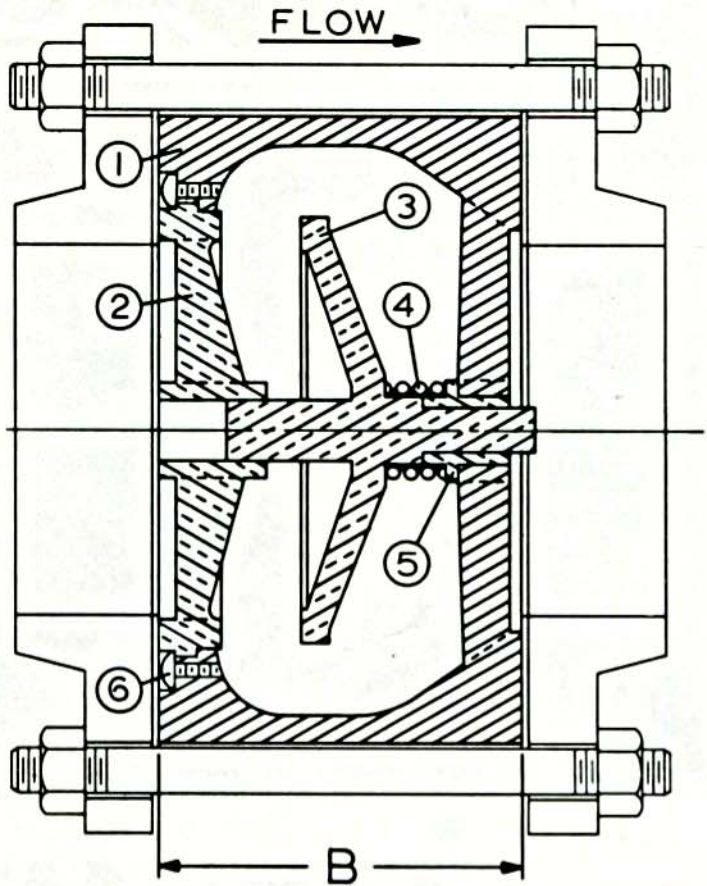
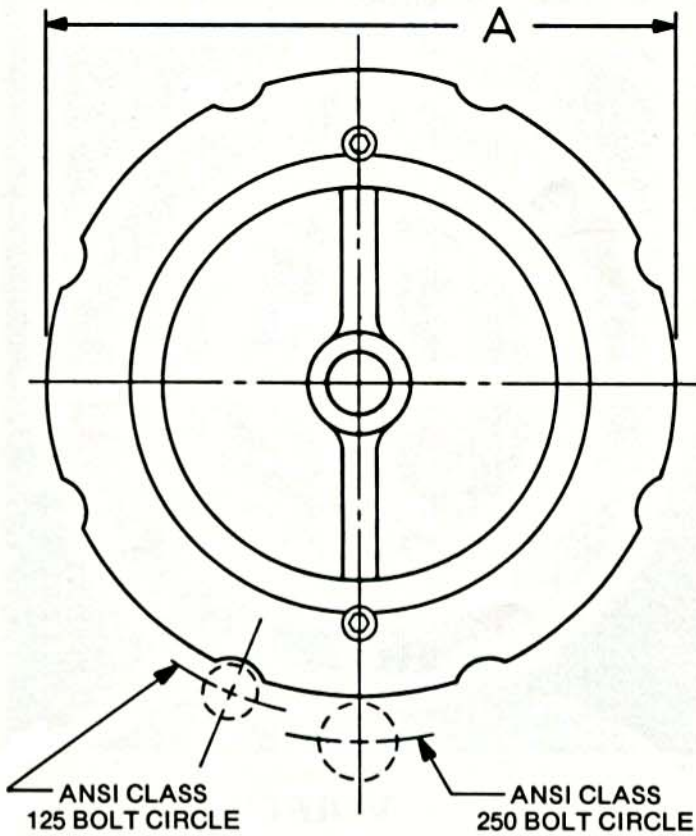
1. Val-Matic 1400 Series Wafer-Style Silent Check Valves Are Intended for Liquid Service Only. For other service or materials of construction, consult factory.
2. Globe Style Valves Also Available in 3" through 42" . . . See Val-Matic Bulletin 1800.
3. Cast Steel and Stainless Steel Valves Also Available . . . See Drawing Number VM 3102.



**VAL-MATIC VALVE AND MANUFACTURING CORP.**

905 RIVERSIDE DRIVE • ELMHURST, IL 60126 • 630/941-7600 • TELEX: 28-1001 • FAX: 630/941-8042

**FLANGES, BOLTS, NUTS AND GASKETS  
ARE NOT INCLUDED.**



**Factory  
Mutual  
System**

**\*Approved**

ANSI 125

| PART NO. | NAME    | MATERIAL        |
|----------|---------|-----------------|
| 1        | BODY    | CAST IRON       |
| 2        | SEAT    | BRONZE          |
| 3        | PLUG    | BRONZE          |
| 4        | SPRING  | STAINLESS STEEL |
| 5        | BUSHING | BRONZE          |
| 6        | SCREW   | STAINLESS STEEL |

| ANSI CLASS 125 |           |             |        |       |
|----------------|-----------|-------------|--------|-------|
| Size           | Model No. | Weight Lbs. | A      | B     |
| * 2            | 1402      | 6           | 4-1/4  | 2-5/8 |
| * 2½           | 1402½     | 7           | 5      | 2-7/8 |
| * 3            | 1403      | 12          | 5-3/4  | 3-1/8 |
| * 4            | 1404      | 18          | 7      | 4     |
| * 5            | 1405      | 27          | 8-3/8  | 4-3/4 |
| * 6            | 1406      | 42          | 9-3/4  | 5-1/2 |
| * 8            | 1408      | 85          | 13-3/8 | 6-1/2 |
| * 10           | 1410      | 146         | 16     | 8-1/4 |

| ANSI CLASS 250  |           |             |        |       |
|---|-----------|-------------|--------|-------|
| Size  | Model No. | Weight Lbs. | A      | B     |
| <b>SIZES 2" THRU 6" ARE COMBINATION<br/>ANSI CLASS 125 AND 250 VALVES.<br/>USE ANSI CLASS 125 DIMENSIONS.</b> |           |             |        |       |
| 8   | 1458      | 86          | 13-3/8 | 6-1/2 |
| 10  | 1460      | 137         | 16     | 8-1/4 |

**NOTE: (1) Refer to Drawing SS120 for pressure and temperature limitations.  
(2) Additional materials and pressure classifications available.**

**VAL-MATIC**

VAL-MATIC VALVE AND MANUFACTURING CORP.  
905 RIVERSIDE DRIVE • ELMHURST, IL 60126  
630/941-7600 • TELEX: 28-1001 • FAX: 630/941-8042  
Copyright © 1987 Val-Matic Valve and Mfg. Corp.

DISTRIBUTED BY

PRINTED IN U.S.A.

PRESSURE TEMPERATURE RATINGS  
FOR  
CAST IRON / BRONZE OR STAINLESS STEEL TRIM  
SILENT CHECK VALVES

| TEMP.<br>DEG. F. | MAX., NON-SHOCK SERVICE PRESS. |         |              |         |
|------------------|--------------------------------|---------|--------------|---------|
|                  | ANSI B16.1 FLG. RATINGS        |         |              |         |
|                  | 125 LB. CLASS                  |         | 250 LB CLASS |         |
|                  | 2"-12"                         | 14"-42" | 2"-12"       | 14"-42" |
| 0 - 150°         | 200                            | 150     | 400          | 300     |
| 200°             | 190                            | 135     | 370          | 280     |
| TEST PRESSURE    | 300                            | 230     | 600          | 450     |

**NOTE:**

STAINLESS STEEL TRIM RECOMMENDED FOR  
TEMPERATURES 180°-200° F.

REVISED 6-18-90

PRESSURE TEMPERATURE RATINGS

DATE  
5-2-78

**VAL-MATIC**

VALVE AND MANUFACTURING CORP.

DRWG. NO.  
SS-120