

VAL-MATIC®

AIR RELEASE VALVES

To MAINTAIN
PIPELINE
EFFICIENCY

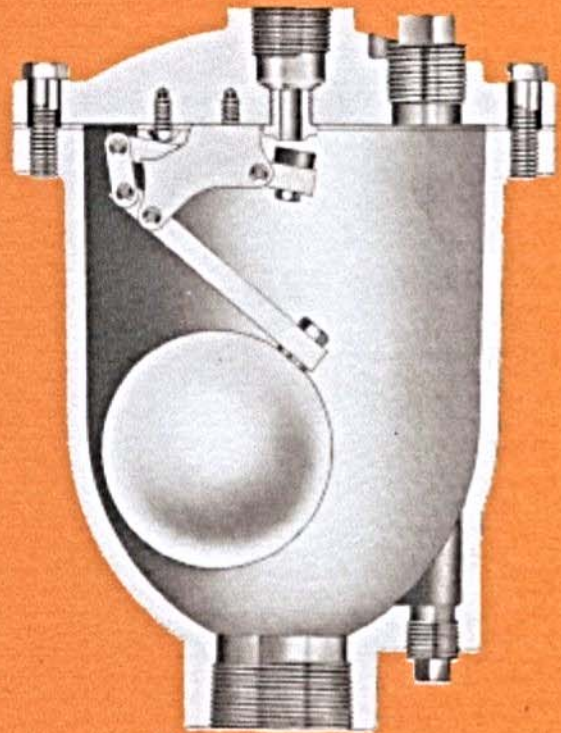


Exclusive
**STAINLESS STEEL
TRIM-STANDARD**

- ALL S.S. TRIM ELIMINATES DESTRUCTIVE ELECTROLYTIC ACTION WHICH CAN OCCUR WHEN DISSIMILAR METALS SUCH AS S.S. AND BRONZE ARE USED TOGETHER

Other Features

- STAINLESS STEEL TRIM ASSURES LOW MAINTENANCE
- STAINLESS STEEL FLOATS UNCONDITIONALLY GUARANTEED
- SYNTHETIC SEATING ASSURES DROP TIGHT SEAL AT VERY LOW PRESSURES

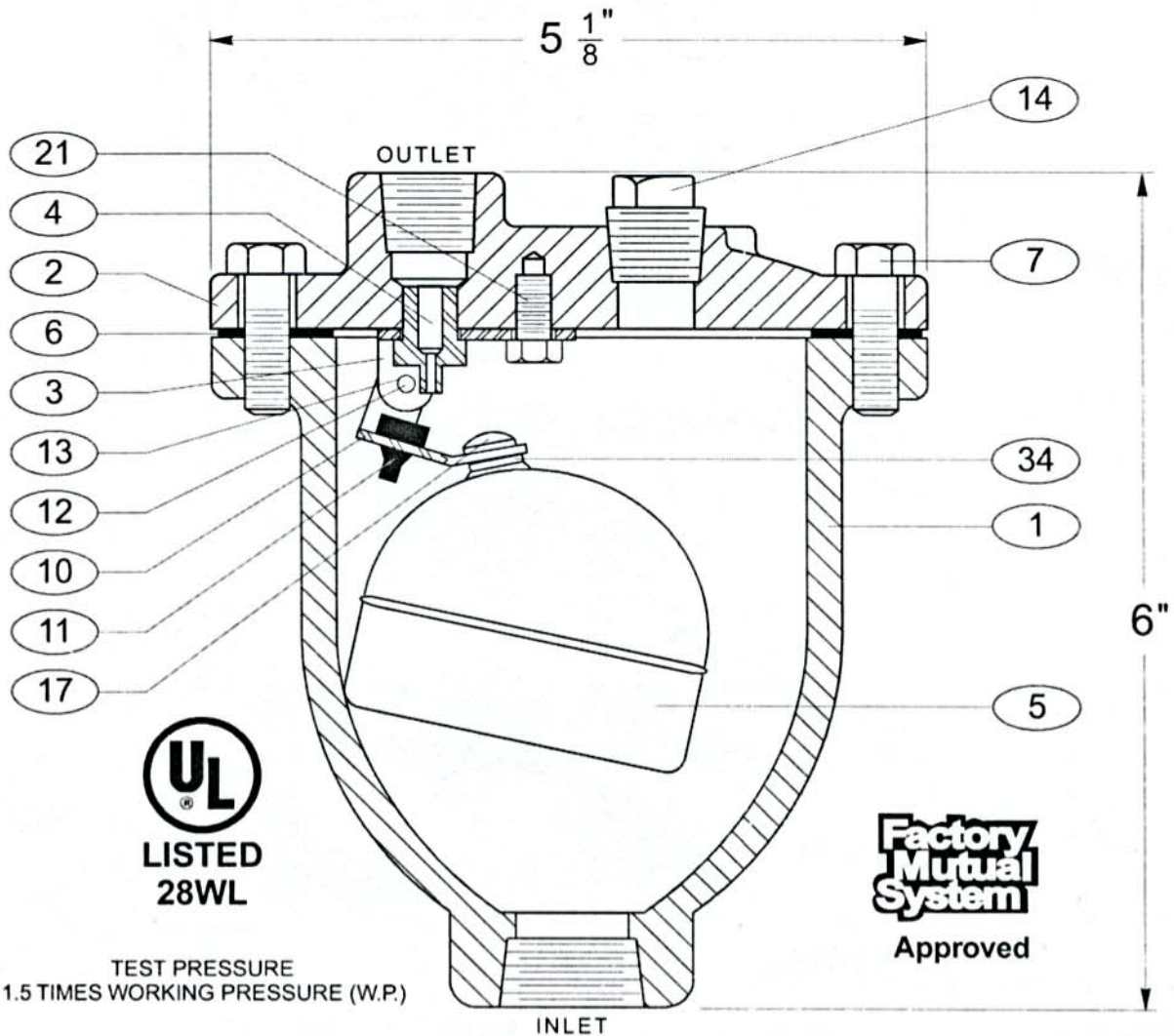


- RUGGED CAST IRON BODY AND COVER
- WORKING PRESSURES UP TO 1000 P.S.I.
- COMPLETE INTERCHANGEABILITY OF ALL PARTS
- EASILY MAINTAINED WITHOUT SPECIAL TOOLS

VAL-MATIC®

VAL-MATIC® VALVE AND MANUFACTURING CORP.

995 RIVERSIDE DRIVE ■ ELMHURST, IL 60126
PHONE (630)941-7800 ■ FAX (630)941-8042



SEE DRAWING NO. VM-22-M FOR STANDARD MATERIAL OF CONSTRUCTION.

VALVE SIZE	MODEL NO.	INLET SIZE	OUTLET SIZE	MAX. W.P. P.S.I.	ORIFICE SIZE
1/2"-3/4"*	22.4	3/4" N.P.T.	1/2" N.P.T.	175	3/32"
1"	22.3	1" N.P.T.	1/2" N.P.T.	175	3/32"
1/2"	22.7	1/2" N.P.T.	1/2" N.P.T.	300	1/16"
1/2"-3/4"-1"*	22.9	1" N.P.T.	1/2" N.P.T.	300	1/16"

*When multiple size inlets are indicated for a specific model number, the valve is threaded for the largest size indicated and a reducer bushing is provided for the smaller sizes.

- | | | | |
|---|-------------|----|--------------------------|
| 1 | BODY | 10 | FLOAT ARM |
| 2 | COVER | 11 | ORIFICE BUTTON |
| 3 | LEVER FRAME | 12 | PIVOT PIN |
| 4 | SEAT | 13 | PIN RETAINER (NOT SHOWN) |
| 5 | FLOAT | 14 | PIPE PLUG |
| 6 | GASKET | 17 | FLOAT RETAINER |
| 7 | COVER BOLT | 21 | LOCATOR |
| | | 34 | LOCK WASHER |

Revised 4-13-98

AIR RELEASE VALVE

DATE 5-8-69

VAL-MATIC[®]

VALVE AND MANUFACTURING CORP.

DRWG. NO.

VM-22

AIR RELEASE VALVE

SERIES NO. 22

STANDARD MATERIALS OF CONSTRUCTION

<u>PART NO.</u>	<u>PART NAME</u>	<u>MATERIAL</u>
1	BODY	CAST IRON ASTM A126, CLASS B
2	COVER	CAST IRON ASTM A126, CLASS B
3	LEVER FRAME	STAINLESS STEEL T304, ASTM A240
4	SEAT	STAINLESS STEEL T303, ASTM A582
5	FLOAT	STAINLESS STEEL T304, ASTM A240
6	GASKET	COMPRESSED NON-ASBESTOS FIBER
7	COVER BOLT	ALLOY STEEL SAE, GRADE 5
10	FLOAT ARM	STAINLESS STEEL T304, ASTM A240
11	ORIFICE BUTTON	VITON
12	PIVOT PIN	STAINLESS STEEL T303, ASTM A582
13	PIN RETAINER	STAINLESS STEEL PH 15-7 MO
14	PIPE PLUG	STEEL
17	FLOAT RETAINER	STAINLESS STEEL T304, ASTM F879
21	LOCATOR	STAINLESS STEEL T304, ASTM F593
34	LOCK WASHER	STAINLESS STEEL T304, ASTM A240

NOTE: ALL SPECIFICATIONS AS
LAST REVISED.

Revised 4-13-98

MATERIALS OF CONSTRUCTION

DATE 5/8/69

VAL-MATIC[®] VALVE AND MANUFACTURING CORP.

DRWG. NO.
VM-22-M

RECOMMENDED AIR RELEASE VALVE SIZING

The following recommendations may be used for pipeline and in plant systems other than sewage and industrial waste. (Refer to Bulletin #48/301 for Sewage and Industrial Waste Applications.) The model numbers indicated are minimum sizes. Larger sizes may be used when abnormal amounts of air are expected.

For maximum valve efficiency, use as large inlet size available for each model. This will allow a better air and water exchange to take place.

Valves should be installed at all high points in the piping system where air can accumulate.

VALVE SELECTION

1. Determine system capacity in G.P.M. and operating pressure.
2. Enter your G.P.M. and pressure into chart and read the required model number and orifice size.

The 1 - 150 pressure is the standard valve and does operate thru the full pressure range of 1 - 150 P.S.I.

MAX. CAPACITY G.P.M.	SYSTEM PRESSURE P.S.I.					
	1 TO 50		1 TO 150		1 TO 300	
	MODEL	ORIFICE SIZE	MODEL	ORIFICE SIZE	MODEL	ORIFICE SIZE
800	N/A		* 15	1/16"	N/A	
2200	N/A		* 22	3/32"	22	1/16"
5200	N/A		25	1/8"	25	5/64"
50000	38	5/16"	38	3/16"	38	3/32"
150000	45	1/2"	45	3/8"	45	7/32"

NOTE: Above 150,000 G.P.M. valve clusters may be considered.

*Model Numbers 15 and 22 are rated for 175 P.S.I.

REV. 4-20-88

AIR RELEASE SIZING

DATE
2-20-78

VALMATIC

VALVE AND MANUFACTURING CORP.

DRWG. NO.

SS-116